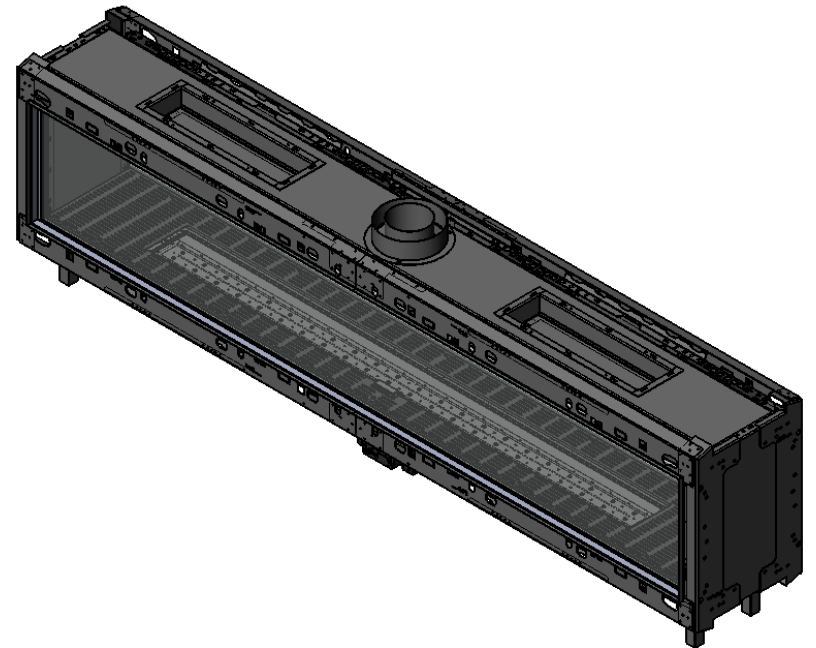
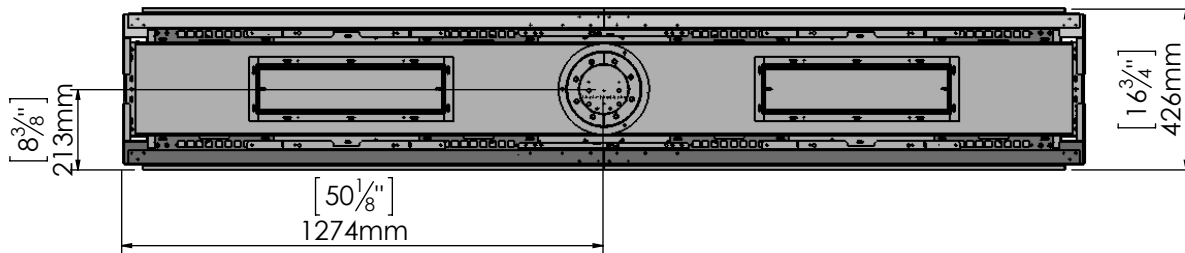
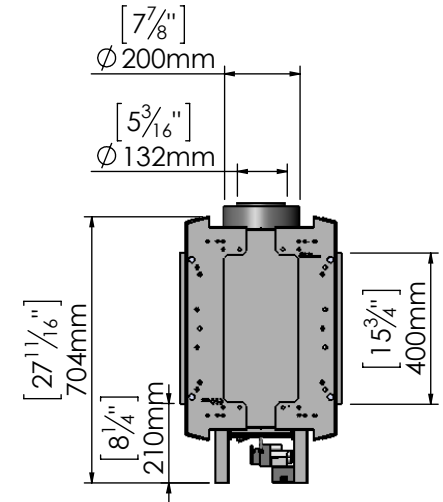
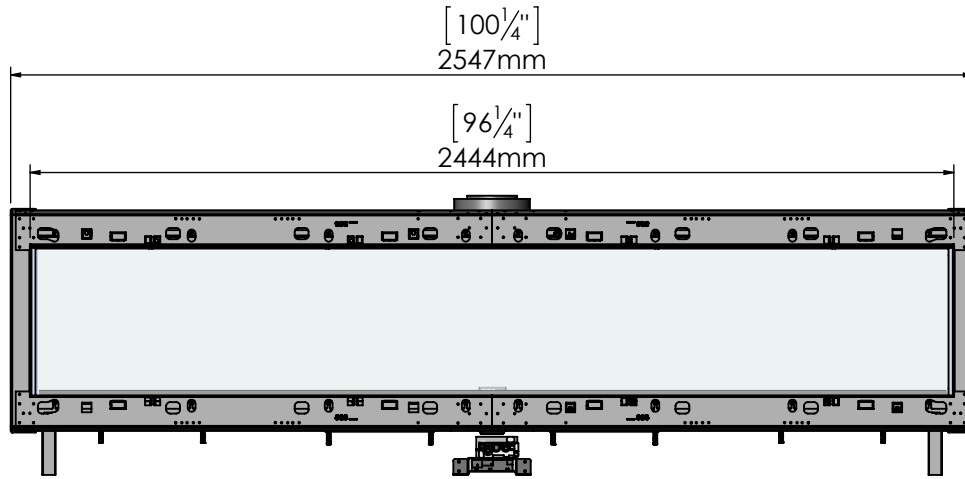


# 250 Tunnel



# 250H Tunnel

