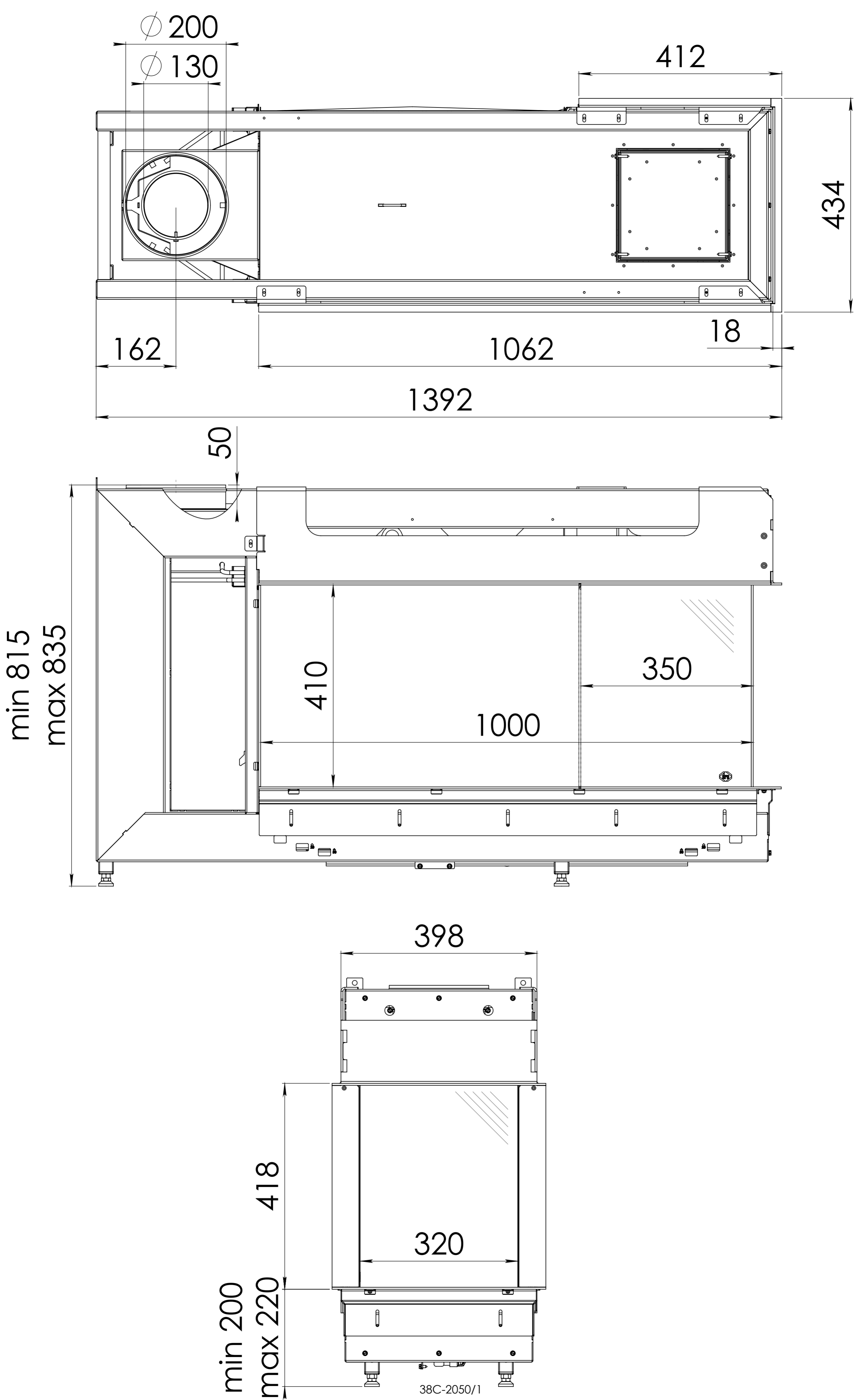


38C-2051/1

**Metro 100 XTL L RCH 41**



**Metro 100 XTL R RCH 41**