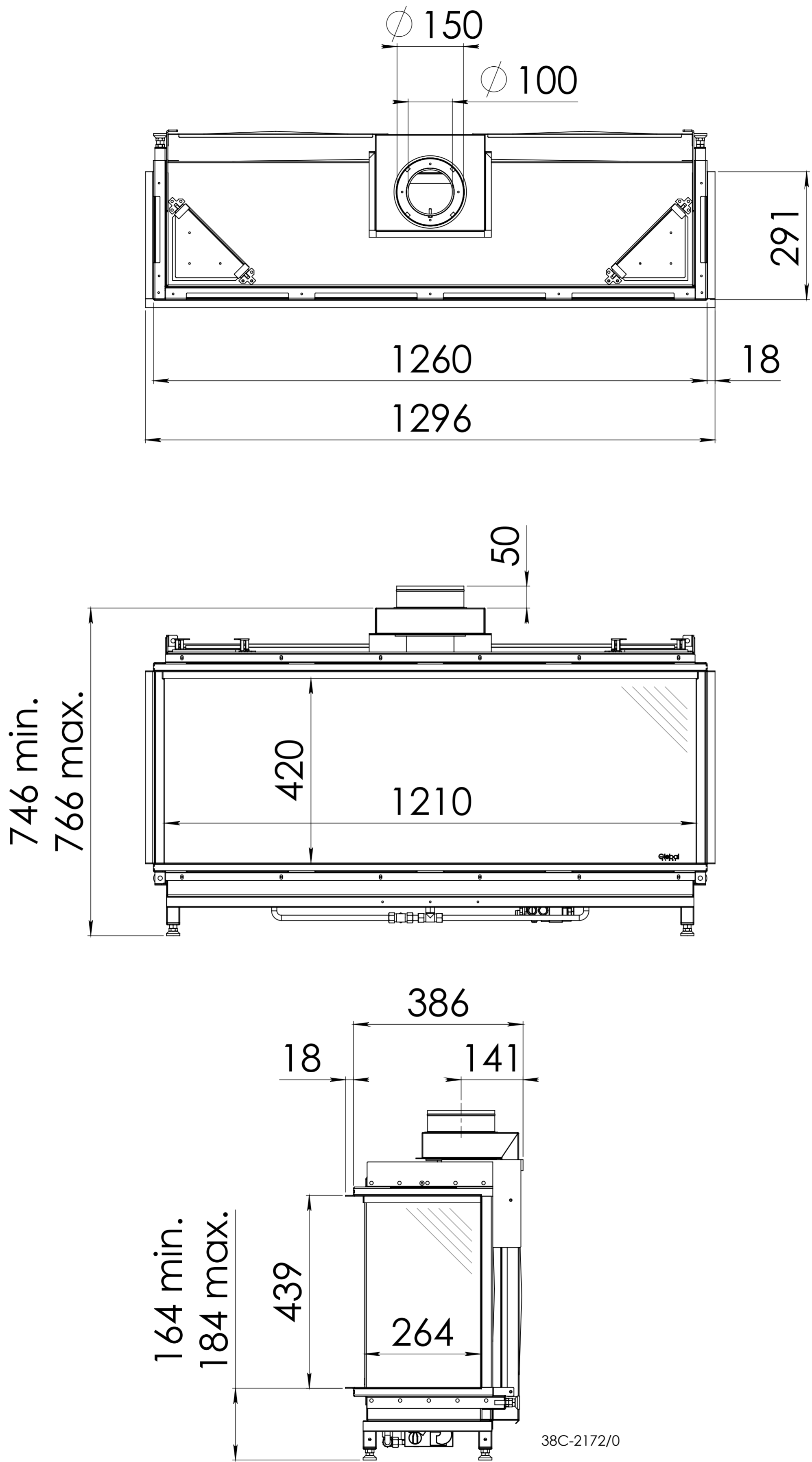


38C-2189/0

Global 100 Triple



Global 120 Triple